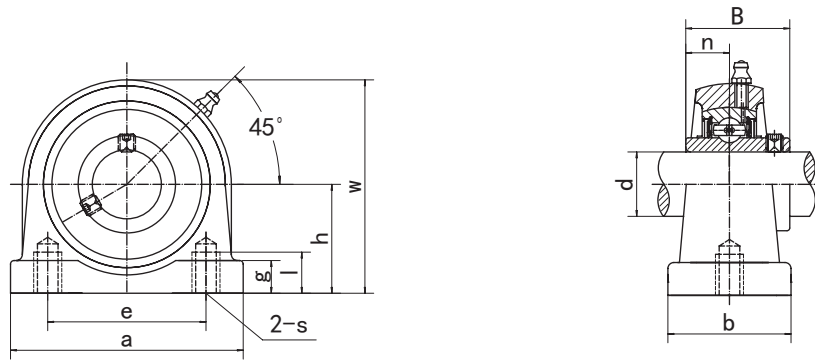


**Pillow Blocks**

**UCPW2 (Normal-duty)**



Unit NO.	Dimensions ( mm / in. )											Bolt Size mm/in.	Bearing No.	Housing No.	Weight (kg)	
	d	h	a	e	b	s	l	g	w	B	n					
UCSPW201 201-8	12 1/2	30.2	63.0	47.0	30		10	11.0	57.0	27.4	11.5	M8	UCS201 UCS201-8	PW201	0.48	
UCSPW202 202-9 202-10	15 9/16 5/8	1-3/16	2-31/64	1-27/32	1-3/16	M8	25/64	7/16	2-1/4	1 0787	0 4528		UCS202 UCS202-9 UCS202-10		PW202	0.47
UCSPW203 203-11	17 11/16												UCS203 UCS203-11	PW203		0.47
UCPW204 204-12	20 3/4	33.3 1-5/16	65.0 2-9/16	50.8 2	32 1-17/64	M8	15 19/32	14.5 37/64	64 2-33/64	31.0 1 2205	12.7 0 500		M8		UC204 UC204-12	PW204
UCPW205 205-13 205-14 205-15 205-16	25 13/16 7/8 15/16 1	36.5 1-7/16	70.0 2-3/4	50.8 2	36 1-27/64	M10	15 19/32	13.0 33/64	70.0 2-3/4	34.1 1 3425	14.3 0 563		M10	UC205 UC205-13 UC205-14 UC205-15 UC205-16	PW205	
UCPW206 206-17 206-18 206-19 206-20	30 1-1/16 1-1/8 1-3/16 1-1/4												42.9 1-11/16	98.0 3-55/64		76.2 3
UCPW207 207-20 207-21 207-22 207-23	35 1-1/4 1-5/16 1-3/8 1-7/16	47.6 1-7/8	103.0 4-1/16	82.6 3-1/4	45 1-49/64	M10	20 25/32	19.0 3/4	93.0 3-21/32	42.9 1 6890	17.5 0 689		M10	UC207 UC207-20 UC207-21 UC207-22 UC207-23	PW207	1.11
UCPW208 208-24 208-25	40 1-1/2 1-9/16												49.2 1-15/16	116.0 4-9/16		88.9 3-1/2
UCPW209 209-26 209-27 209-28	45 1-5/8 1-11/16 1-3/4	53.9 2-1/8	120.0 4-23/32	95.3 3-3/4	48 1-57/64	M12	25 63/64	19.0 3/4	107.0 4-7/32	49.2 1 9370	19.0 0 748		M12	UC209 UC209-26 UC209-27 UC209-28	PW209	1.13
UCPW210 210-29 210-30 210-31 210-32	50 1-13/16 1-7/8 1-15/16 2												57.2 2-1/4	135.0 5-5/16		101.6 4
																1.41
																1.47
																1.44
																1.41
																1.76
																1.80
																1.77
																1.99
																2.09
																2.05
																2.01
																2.64
																2.76
																2.71
																2.66
																2.62